

Ambience Uni-Joint Roller System

Product Information

Ambience Uni-Joint Roller System is a robust roller blind system, allowing for a single chain to operate multiple blinds in a bay window or corner window application.

Suitable for both commercial and residential use.

Verosol's Ambience Uni-Joint Roller System can be easily upgraded from chain to motorised at any time.

Further Information

To find out more information phone Verosol Customer Care on 1800 721 404 or visit www.verosol.com.au



Technical Information

Product Code	R204.0	
Product Name	Ambience Uni-Joint Roller Blind	
Operation	Stainless Steel Chain Operation	
Dimensions	Width	300mm minimum - 3000mm maximum
	Drop	300mm minimum - 3000mm maximum
	Spring Assist	1200mm minimum width
	Maximum Area	24m ² over 3 sections
Roller Tube	Light	43mm - optimised for fabric weight and width of blind to reduce tube deflection
	Standard	44mm - optimised for fabric weight and width of blind to reduce tube deflection
	Heavy Duty	49mm - optimised for fabric weight and width of blind to reduce tube deflection
Base Rail Options	Flat [11mm x 22mm], Round [22mm], Verosol [17mm x 28mm] or Elliptical [11mm x 22mm]	
	Colours	Paint: White, Black and Sandstone Anodised: Clear
Control	Mechanism	Direct action, high tensol would steel spring which operated in such a way that it only applies the precise braking power necessary to keep the blind in the desired position.
	Colours	Paint: White, Black, Barley and Silver Grey
	Chain	PVC, Nickel Plated Steel or Stainless Steel
Brackets	Options	Top or Face Fixing; Left or Right Control
		45° and 90° bracketing systems allows blinds to remain linked
		45° brackets are suitable for multi-linking between angles from 0° to 45° out of parrallel
		90° brackets are suitable for multi-linking between angles from 45° to 90° out of parrallel
	Material	Press formed steel, pre-treated and powder coated
Colours	White, Black, Sandstone and Silver Grey	

Turn over for motorisation and optional extras

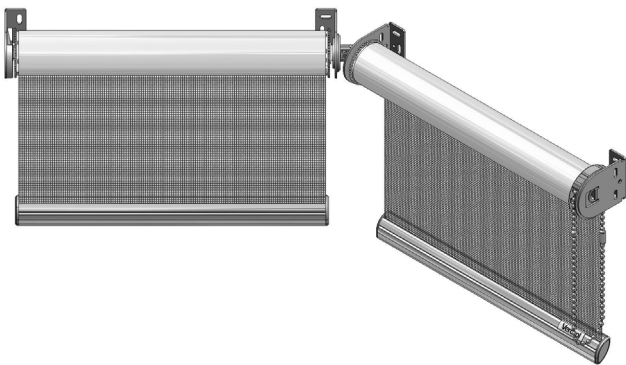
Ambience Uni-Joint Roller System

Motorisation

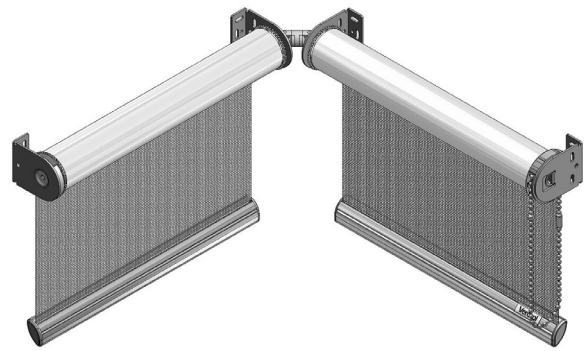
Product Code	R204.6	
Product Name	Ambience Uni-Joint Roller Blind	
Operation	240V AC Motorised	
Dimensions	Width	600mm minimum - 3000mm maximum
	Drop	300mm minimum - 3000mm maximum
	Maximum Area	24m ² over 4 sections
Roller Tube	Light	43mm - optimised for fabric weight and width of blind to reduce tube deflection
	Standard	44mm - optimised for fabric weight and width of blind to reduce tube deflection
	Heavy Duty	49mm - optimised for fabric weight and width of blind to reduce tube deflection
More Information	Refer to "8.0 Motorisation" in your Verosol Price List for more information	

System Diagrams

45° Uni-Joint



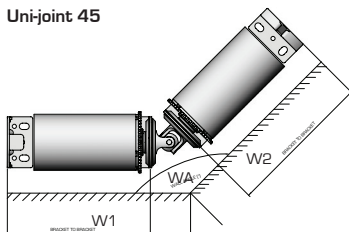
90° Uni-Joint



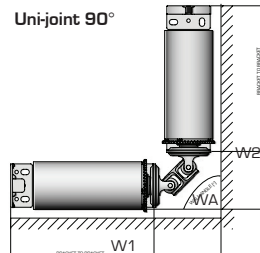
Uni-joint 45° and 90° bracketing systems allow blinds to remain linked in both manually and motorised Ambience multi-linked blinds. Uni-joint 45° brackets are suitable for the multi-linking of Ambience roller blinds between angles ranging from 0° to 45° out of parallel. Uni-joint 90° brackets are suitable for the multi-linking of Ambience roller blinds between angles ranging from 45° to 90° out of parallel. When ordering a uni-joint system:

1. Pre-order desired uni-joint bracket sets (as above)
2. Install bracket sets on window frames or walls
3. Provide "bracket to bracket" finished measurements (image right)

Uni-joint 45



Uni-joint 90°



Uni-joint 45° and 90° brackets
 Maximum Roll Diametres:
 40mm projection bracket: 75mm
 55mm projection bracket: 105mm

Visit Verosol Price List for more system diagrams