

Ambience Heavy Duty Uni-Joint Roller Blind

Product Information

Ambience Heavy Duty Uni-Joint Roller Blind is a robust roller blind system, allowing for a single chain to operate multiple blinds in a bay window or corner window application.

Uni-joint brackets are suitable for the multi-linking of Ambience Heavy Duty Roller Blinds between angles ranging from 0° to 90° out of parallel.

Suitable for both Commercial and Residential use.

Verosol's Ambience Heavy Duty Uni-Joint Roller System can be easily upgraded from chain to motorised at any time.

Further Information

To find out more information phone Verosol Customer Care on 1800 721 404 or visit www.verosol.com.au



Technical Information

Product Code	R204.3	
Product Name	Ambience Heavy Duty Uni-Joint Roller Blind	
Operation	Stainless Steel Chain Operation	
Dimensions	Width	600mm minimum - 3000mm maximum
	Drop	600mm minimum - 3000mm maximum [Drop can be extended on request]
	Spring Assist	1200mm minimum width
	Maximum Area	24m ² over 3 sections
Roller Tube	Standard	60mm is standard size for all Heavy Duty Roller Blinds
	Optional	80mm tube diameter is also available
Base Rail	Standard	Heavy Duty Base Rail
	Optional	Flat [11mm x 22mm], Round [22mm], Verosol [17mm x 28mm] or Elliptical [11mm x 22mm]
	Colours	Paint: White, Black and Sandstone Anodised: Clear
Control	Mechanism	Direct action, high tensile wound steel spring which operated in such a way that it only applies the precise braking power necessary to keep the blind in the desired position.
	Idler	Bearing idler with fixed high tensile steel shaft
	Colours	Paint: White, Black
	Chain	PVC, Nickel Plated Steel or Stainless Steel
Brackets	Material	Press formed steel, pre-treated and powder coated
	Colours	White, Black

Turn over for motorisation and optional extras

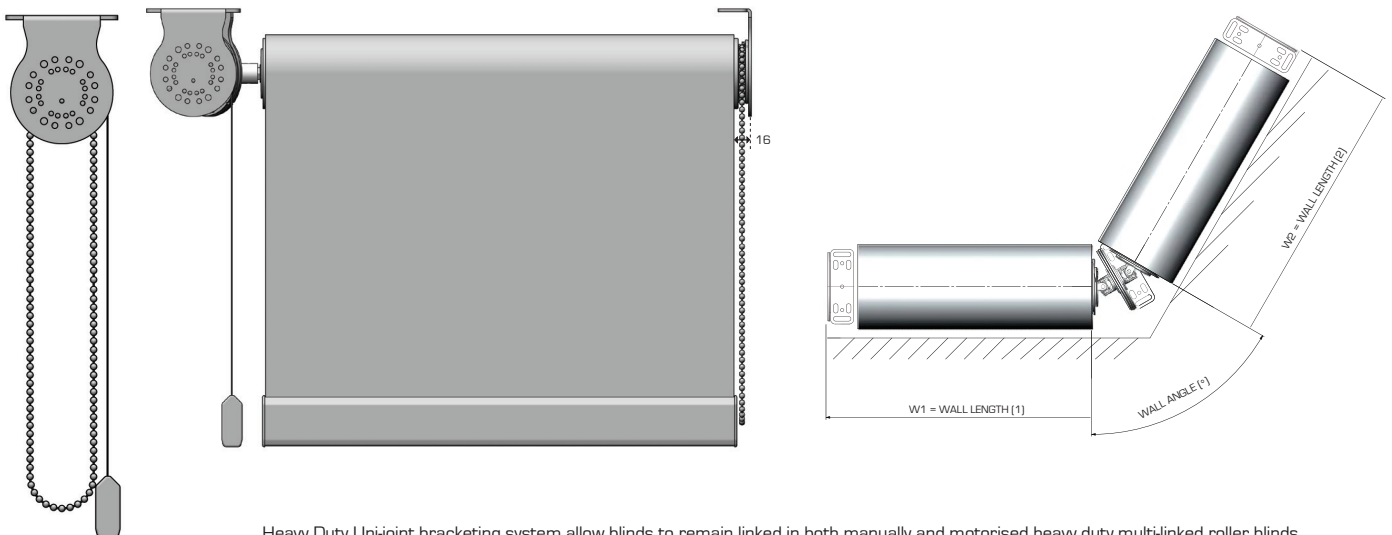
Ambience Heavy Duty Uni-Joint Roller Blind

Motorisation

Product Code	R204.7	
Product Name	Ambience Heavy Duty Uni-Joint Roller Blind	
Operation	240V AC Motorised	
Dimensions	Width	850mm minimum - 3000mm maximum
	Drop	600mm minimum - 3000mm maximum [Drop can be extended on request]
	Maximum Area	40m ² over 4 sections
Roller Tube	Standard	60mm
	Optional	80mm tube diameter is also available
More Information	Refer to "8.0 Motorisation" in your Verosol Price List for more information	

System Diagrams

Ambience Heavy Duty Uni-Joint Roller Blind System

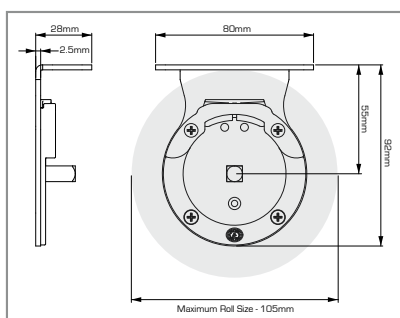


Heavy Duty Uni-joint bracketing system allow blinds to remain linked in both manually and motorised heavy duty multi-linked roller blinds. Uni-joint brackets are suitable for the multi-linking of Ambience heavy duty roller blinds between angles ranging from 0° to 90° out of parallel. When ordering a uni-joint system, simply provide wall measurements W1 and W2 as well as the wall angle WA.

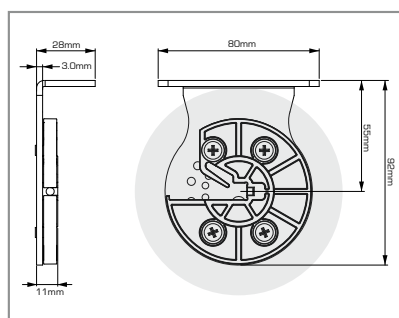
Heavy Duty Brackets

Available in White and Black only

Chain Drive Bracket



Idle End Bracket



Intermediate Bracket

